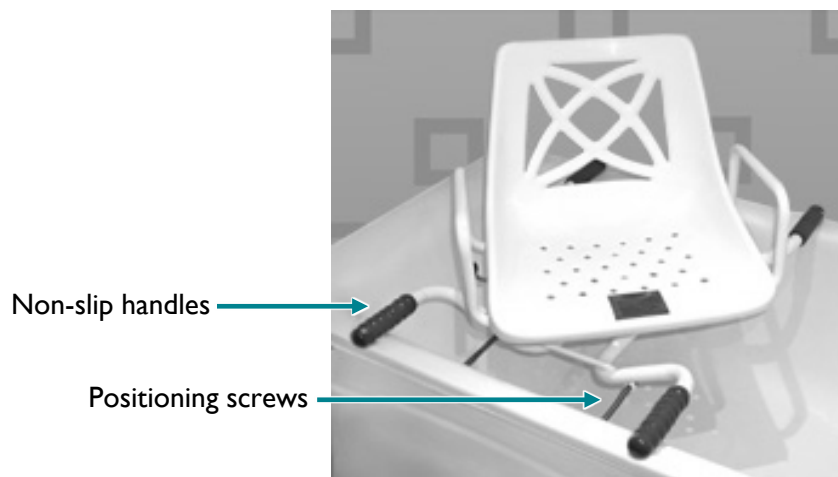


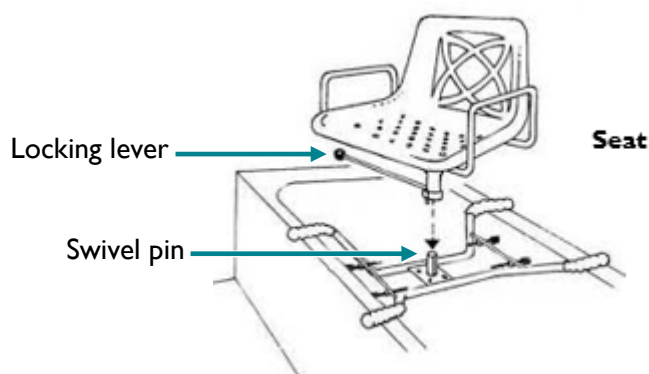
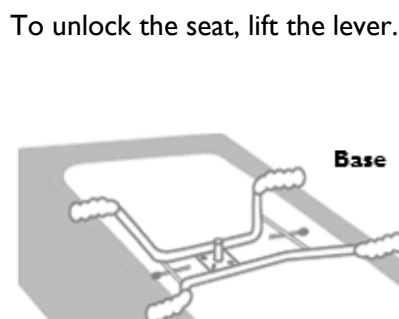
This fact sheet gives you important information about the general use and care of a swivel bather. It describes how to install, use and care for the swivel bather.

**This fact sheet does not replace specific instructions given to you by the equipment prescriber.**



### Installing the swivel bather

1. Place the base on the bath. Make sure the four non-slip handles have at least 25mm resting on the edge of the bath.
2. Adjust the positioning screws until the rubber ends are within 6mm from the sides of the bath but not quite touching the sides.
3. Place the seat on the base.
4. There is a level on the right hand side of the seat that locks the seat into place. To lock the seat into position, push the level down until it fits into the slot in the base.



### Using the swivel bather

1. Turn the seat so that it faces the side of the bath, and lock it into position.
2. Stand close to the bath, so you can feel the bath against the back of your legs.
3. Reach behind you and hold both of the armrests for support.
4. Lower yourself slowly into the chair using the armrests.
5. Unlock the seat by pulling up the lever on the right hand side.
6. Turn the seat and lift your legs into the bath.
7. Lock the seat in place by pushing the lever down.
8. Shower while sitting over the bath on the swivel bather.
9. To get out of the bath, reverse the process.



### Care of the swivel bather

- Wipe any soiling immediately with hot, soapy water.
- Dry the seat with a towel after each use.
- Clean the swivel bather regularly with hot, soapy water.
- Check for rust and signs of wear to the plastic seat.

### Repairs to your equipment

If your equipment is broken, damaged, rusted or worn contact your local TasEquip warehouse to arrange for repair or replacement. Please call 1300 827 378 or contact your regional warehouse directly:

#### North

53 Dowling Street  
(Old Becks Hardware site -  
entry is off Henry Street)  
Launceston  
Phone: 6777 4336  
Email:  
[NthTasEquip@ths.tas.gov.au](mailto:NthTasEquip@ths.tas.gov.au)

#### North West

Mersey Community Hospital  
Moriarty Road  
Latrobe  
Phone: 6478 5599  
Email:  
[NWTasEquip@ths.tas.gov.au](mailto:NWTasEquip@ths.tas.gov.au)

#### South

Repat Centre  
90 Davey Street  
Hobart  
Phone: 6166 7393  
Email:  
[SouthTasEquip@ths.tas.gov.au](mailto:SouthTasEquip@ths.tas.gov.au)

Revision Date: September 2025